



# HYPER KINETIC WHEEL LOADERS

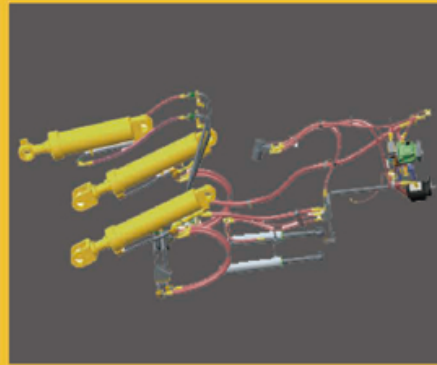
[WWW.HYPERKINETIC.COM](http://WWW.HYPERKINETIC.COM)

# Product Highlights



## 1. Engine

Powerful Weichai / Shangchai / Cummins engine, large displacement, power take-off.



## 2. Efficient Hydraulic System

The optimized hydraulic system paired with the drive train reduces machine cycle time and increases productivity.



## 3. Advanced Cooling System

The standard cooling package provides high reliability in 43°C ambient conditions.



## 4. Solid Structure

Steering rubber stopper design provides protection for frame.



## 5. Cabin

Integral, luxury instrument board. New, luxury cabin.

# HK938



- Weichai WP6G125E23 engine, higher power and reliability. Hydrodynamic transmission, three-element and single stage torque converter, high reliability, easy maintenance.
- Gear-shift controlled by flexible shaft makes operation more flexible and reliable.
- Large space articulated frame makes operation and traveling stable. Working device with automatically leveling ability at high position.

**Model** HK938

Performance		
Overall dimensions	mm	7020 × 2510 × 3300
Operating weight	kg	10600
Rated load	kg	3000
Rated capacity	m <sup>3</sup>	2
Max. Tractive force	kN	90
Max. Breakout force	kN	120
Max. Grade ability	°	30
Dumping height	mm	3000
Max. Dumping reach	mm	1100
Min. Turning radius	mm	5160
Steering angle	°	35
Max. speed	km / h	36
Tyre type		17.5-25

## Engine

Model		Weichai WP6G125E23
Rated power	kW / rpm	92 / 2300
Traveling System		
Torque converter model		YJ315X
Transmission type		Mechanically operated planetary power shift
Shift gears		F4R2
Drive axle model		ZL30E
Wheel base	mm	2845
Wheel tread	mm	1800
Min. ground clearance	mm	375
Hydraulic		
Boom lifting time	s	5.5
Total time	s	10

# HK939



- Weichai WP6G125E23 engine, higher power and reliability. Twin-turbocharged, double stage four elements torque converter and planetary gearbox make more drawing force.
- Working device poilt control.
- Gear - shift with 4 forward and 3 reverse controlled by flexible shaft eases much labour. Single pump, split flow working hydraulic system realizes the
- excellent fuel economy.

Large space articulated frames make operation and traveling stable. Working device with automatically leveling ability at high position.

## Model HK939

### Performance

Overall dimensions	mm	7020 × 2510 × 3375
Operating weight	kg	10600
Rated load	kg	3000
Rated capacity	m <sup>3</sup>	1.8
Max. Tractive force	kN	96
Max. Breakout force	kN	120
Max. Grade ability	°	30
Dumping height	mm	3050
Max. Dumping reach	mm	1105
Min. Turning radius	mm	5160
Steering angle	°	35
Max. speed	km/ h	36
Tyre type		17.5-25

### Engine

Model		Weichai WP6G125E23
Rated power	kW / rpm	92 / 2300

### Traveling System

Torque converter model		YD13
Transmission type		Electrical control
Shift gears		F4R3
Drive axle model		ZL30E
Wheel base	mm	2700
Wheel tread	mm	1865
Min. ground clearance	mm	380

### Hydraulic

Boom lifting time	s	5.5
Total time	s	10

# HK946



- Cummins 6BTA5.9-C180 engine, higher power and reliability.
- Working device poilt control.
- Large space articulated chassis makes operation and traveling stable. Working device with automatically leveling ability at high position. Main articulated points take sealed, lubricated, dust-proof layers, which owns good durability.

## Model HK946

### Performance

Overall dimensions	mm	7670 × 2680 × 3375
Operating weight	kg	13200
Rated load	kg	4000
Rated capacity	m <sup>3</sup>	2.35
Max. Tractive force	kN	100
Max. Breakout force	kN	120
Max. Grade ability	°	30
Dumping height	mm	3176
Max. Dumping reach	mm	1095
Min. Turning radius	mm	6052
Steering angle	°	35
Max. speed	km/h	35
Tyre type		20.5-25 16PR

### Engine

Model		Cummins 6BTA5.9-C180
Rated power	kW / rpm	132 / 2200

### Traveling System

Torque converter model		WG180
Transmission type		Electrical control
Shift gears		F4R3
Drive axle model		GZH420
Wheel base	mm	3067
Wheel tread	mm	1860
Min. ground clearance	mm	460

### Hydraulic

Boom lifting time	s	5.5 + 0.2
Total time	s	9.8 + 0.2

# HK958



- Weichai WD10G220E21 engine is adopted, with large torque backup and strong power. Single stage, 4 elements, twin turbo ZL50 torque converter and planetary gearbox from Hangzhou Advance Gearbox Group, compact structure and high reliability.
- Gear - shift with 2 forward and 1 reverse controlled by flexible shaft eases much labor. Strengthened axles own large bearing capacities and high reliability.
- Large space articulated chassis makes operation and traveling stable. Working device with automatically leveling ability at high position.

## Model HK958

### Performance

Overall dimensions	mm	7960 × 3070 × 3490
Operating weight	kg	17000
Rated load	kg	5000
Rated capacity	m <sup>3</sup>	3
Max. Tractive force	kN	148
Max. Breakout force	kN	180
Max. Grade ability	°	30
Dumping height	mm	3100
Max. Dumping reach	mm	1280
Min. Turning radius	mm	6630
Steering angle	°	35
Max. speed	km/h	38
Tyre type		23.5-25

### Engine

Model		Weichai WD10G220E21
Rated power	kW / rpm	162 / 2200

### Traveling System

Torque converter model		ZL50
Transmission type		Mechanically operated planetary power shift
Shift gears		F2R1
Drive axle model		ZL50M
Wheel base	mm	3200
Wheel tread	mm	2250
Min. ground clearance	mm	500

### Hydraulic

Boom lifting time	s	6
Total time	s	12

# HK959



- Shanghai Caterpillar tech SC11CB220G2B1 engine is adopted, large torque backup and strong power.
- Working device poilt control.
- 4 forward and 3 reverse gear-shift controlled by flexible shaft eases much labor. Single lever pilot control system makes operation easy and comfortable.

Large space articulated frame makes operation and traveling stable. Working device with automatically leveling ability at high position. Main articulated points take sealed, lubricated, dust-proof layers, which owns good durability.

Model		HK959
<b>Performance</b>		
Overall dimensions	mm	7960 × 3070 × 3490
Operating weight	kg	17000
Rated load	kg	5000
Rated capacity	m <sup>3</sup>	3
Max. Tractive force	kN	152
Max. Breakout force	kN	180
Max. Grade ability	°	30
Dumping height	mm	3100
Max. Dumping reach	mm	1280
Min. Turning radius	mm	6630
Steering angle	°	35
Max. speed	km / h	38
Tyre type		23.5-25

<b>Engine</b>		
Model		Shanghai SC11CB220G2B1
Rated power	kW / rpm	162 / 2200
<b>Traveling System</b>		
Torque converter model		WG180
Transmission type		Electrical control
Shift gears		F4R3
Drive axle model		ZL50M
Wheel base	mm	3200
Wheel tread	mm	2250
Min. ground clearance	mm	500
<b>Hydraulic</b>		
Boom lifting time	s	6
Total time	s	12

# HK966



- Weichai Caterpillar tech WD10G240E21 engine is adopted, large torque backup and strong power.
- Working device poilt control.
- 2 forward and 1 reverse gear-shift controlled by flexible shaft eases much labor. Single lever pilot control system makes operation easy and comfortable.

Large space articulated frame makes operation and traveling stable. Working device with automatically leveling ability at high position. Main articulated points take sealed, lubricated, dust-proof layers, which owns good durability.

## Model HK966

Performance		
Overall dimensions	mm	8250 × 3200 × 3560
Operating weight	kg	20000
Rated load	kg	6000
Rated capacity	m <sup>3</sup>	3.5
Max. Tractive force	kN	180
Max. Breakout force	kN	200
Max. Grade ability	°	28
Dumping height	mm	3100
Max. Dumping reach	mm	1216
Min. Turning radius	mm	6593
Steering angle	°	35
Max. speed	km / h	38
Tyre type		26.5-25

Engine		
Model		Weichai WD10G240E21
Rated power	kW / rpm	175 / 2200
Traveling System		
Torque converter model		ZL60
Transmission type		Mechanically operated planetary power shift
Shift gears		F2R1
Drive axle model		ZL60E
Wheel base	mm	3200
Wheel tread	mm	2264
Min. ground clearance	mm	544
Hydraulic		
Boom lifting time	s	6.8
Total time	s	11.8

# HK970



- HK970 can be widely used in port cargo handling, mineral yards, steel mill, and other high productivity demand applications.
  - Working device poilt control.
  - In aggregate site, coal loading and construction etc loosen material handling utilization applications, HK970 can load more, move faster and burn less.
- Structures undergo Finite Element Analysis (FEA) and On Machine Stress Analysis (OMSA) to ensure durability.

## Model HK970

Performance		
Overall dimensions	mm	8414 × 3370 × 3458
Operating weight	kg	20000
Rated load	kg	6000
Rated capacity	m <sup>3</sup>	3.3-5.5
Max. Tractive force	kN	196
Max. Breakout force	kN	183
Max. Grade ability	°	30
Dumping height	mm	3180
Max. Dumping reach	mm	1205
Min. Turning radius	mm	6300
Steering angle	°	38 ± 1
Max. speed	km / h	38
Tyre type		23.5-25

Engine		
Model		Weichai WD10G270E201
Rated power	kW / rpm	199 / 2000

Axle		
Wheel base	mm	3500
Wheel tread	mm	2250
Min. ground clearance	mm	450

Hydraulic		
Boom lifting time	s	15 ± 0.25
Total time	s	10.65 ± 0.5

# HK980



- Cummins engine and 2 adjustable power modes to meet different application needs. Single load sensing hydraulic system supplies flow and pressure only when required, which saves fuel by 8%-12%.
- Working device poilt control. FNR (Forward-Neutral-Reverse) controller and KD (Kick Down) button integrated on pilot control, which makes operation easier. 2nd-4th automatic gearshift and E-control automatic leveling function improve operating efficiency and comfort.

Model		HK980
<b>Performance</b>		
Overall dimensions	mm	8840 × 3260 × 3530
Operating weight	kg	23000
Rated load	kg	7000
Rated capacity	m <sup>3</sup>	4.2~7.0
Max. Tractive force	kN	208
Max. Breakout force	kN	215
Max. Grade ability	°	35
Dumping height	mm	3250
Max. Dumping reach	mm	1310
Min. Turning radius	mm	7790
Steering angle	°	35
Tyre type		26.5-25

<b>Engine</b>		
Model		Cummins 6LTAA8.9-C295
Rated power	kW / rpm	220 / 2100

<b>Axle</b>		
Wheel base	mm	3500
Wheel tread	mm	2200

<b>Hydraulic</b>		
Boom lifting time	s	6.8
Total time	s	13

# HK966D



- Weichai WP10G240E343 engine is adopted, large torque backup and strong power.
- Working device poilt control.

An ergonomically designed sound proof cabin, enabling wide operational view, comes standard with designer upholstery, adjustable air suspension driver's seat, streamline dashboard, air con and radio / mp3 player for extensive operations with well deserved comfort.

Model			HK966D
Overall Dimension	mm	8088 × 3600 × 3600	
Operating Weight	kg	21000	
Rated Load	kg	6500	
Wheelbase	mm	3260	
Tlires type		26.5-25	
ENGINE			
Model		WEICHAJ WP10G240E343	
Rated Power	HP	240	
Rated Speed	rpm	2000	
Emission		Tier III	
TRANSMISSION			
Gearbox BRAND		HANGCHI ZL60	
Type		Mechanically operated planetary power shift	
Max. Travel Speed	km/h	38	
Gear Shift		Planetary structure, electric-control	

## STEERING SYSTEM

Type		Articulated frame, Load sensing fully hydraulic steering
Minimum Turning Radius	mm	7260

## AXLES

Gradeability	°	25
Tread	mm	2250
Ground Clearance	mm	350

## HYDRAULIC SYSTEM

Lifting Time	s	3
Total Time	s	11.3

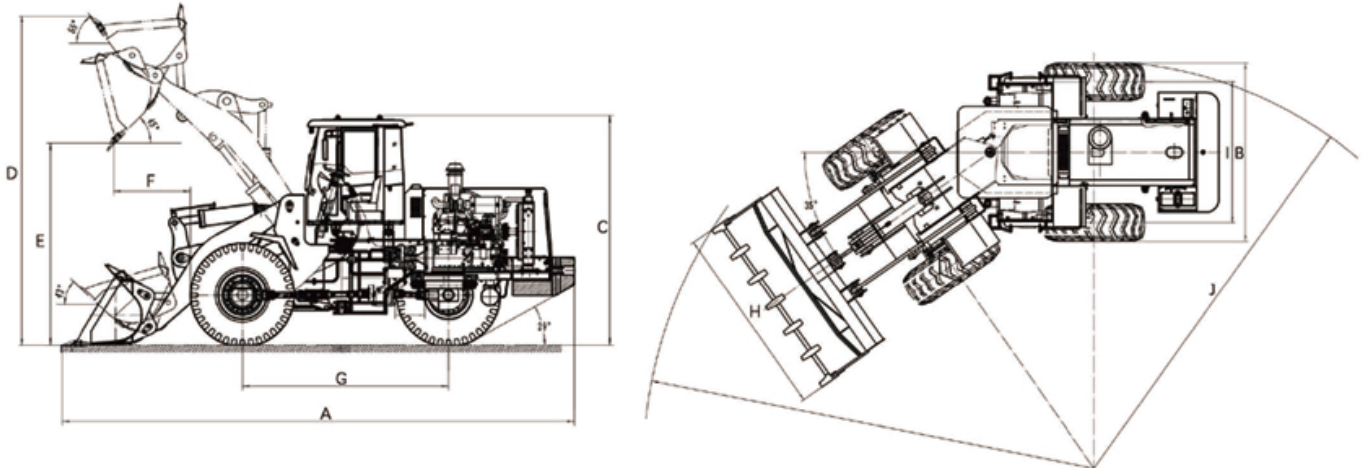
## WORKING EQUIPMENT

Blade Type		Straight Tilt
Blade Capacity	m <sup>3</sup>	2.65
Length	mm	3600
Height	mm	1000
Dig Depth	mm	400
Maximum Tilt	mm	407

## SERVICE REFILL CAPACITY

Fuel	L	350
Hydraulic	L	160

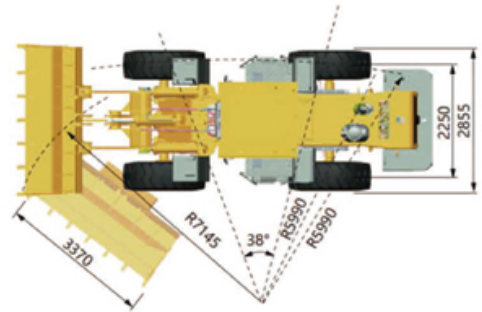
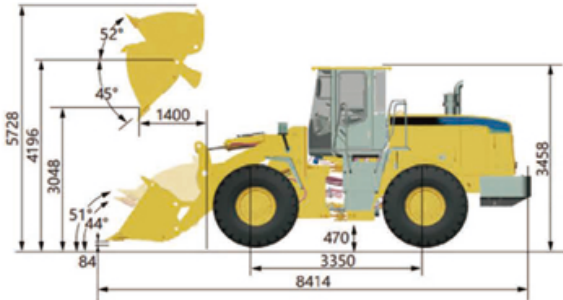
# Product Dimensions



			HK938	HK939	HK946	HK958	HK959	HK966
A	Overall length	mm	7020	7020	7670	7956	7956	8250
B	Overall width	mm	2310	2310	2680	2845	2845	2939
C	Overall height	mm	3170	3170	3375	3568	3568	3630
D	Maximum lifting height	mm			4128	5110	5110	
E	Maximum Dumping Height	mm	3000	3000	3176	3138.5	3138.5	
F	Loader dumping reach	mm	1050	1050	1095	1191	1191	
G	Wheelbase	mm	2850	2850	3069	3200	3200	3200
H	Bucket width	mm	2510	2510		3070	3070	
I	Wheeltread	mm	1800	1800	1860	2248	2248	2264
J	Minimum turning radius over bucket	mm	5755	5755	6032	6506	6506	6593

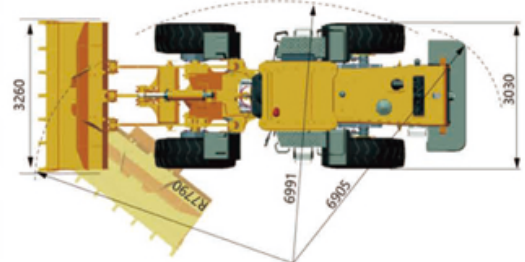
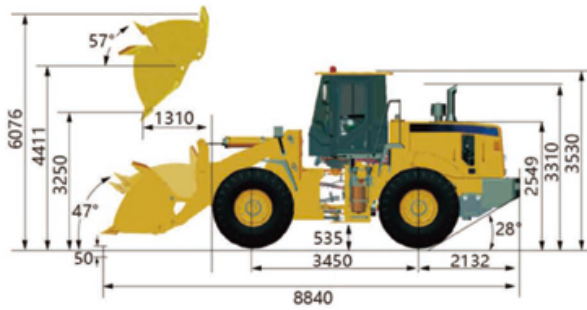
## HK970

Product Dimensions



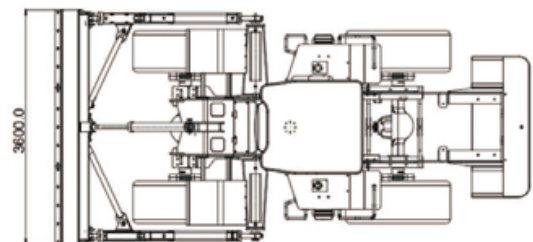
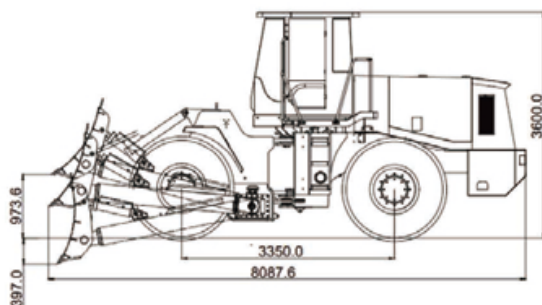
## HK980

Product Dimensions



## HK966D

Product Dimensions



**OPTIONAL ATTACHMENTS**



Quick Coupler



4 in 1 Bucket



6 in 1 Bucket



Pallet Fork



Snow Blade



Dozer Blade



Snow Sweeper



Mixing Bucket



Grass Fork



Wooden Fork



Bucket Blade



Bucket Teeth

**OTHER ATTACHMENTS**



Floating Function for Loader Bucket



Air Conditioner



Cab Heater



Cold Start Preheater



Joystick Control



Bucket Camera



Solid Tire



Electric Transmission



Wet Brake Axle



Shangchai Engine



Cummins Engine



WeiChai Engine